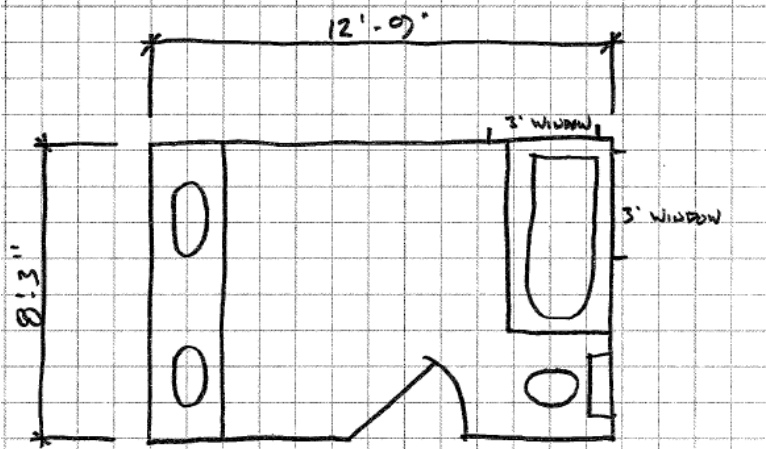
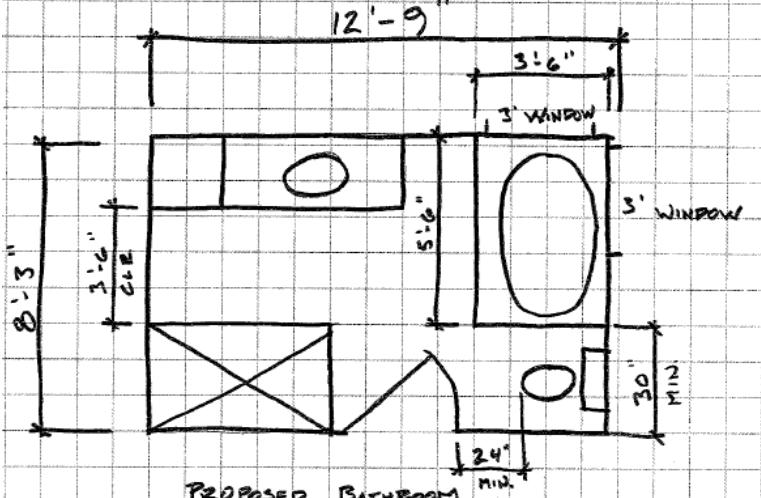


# Bathroom and/or Kitchen remodels

Provide a sketch of your bathroom or kitchen to be remodeled showing the following:

 <p style="text-align: center;"><b>EXISTING BATHROOM</b></p>	 <p style="text-align: center;"><b>PROPOSED BATHROOM</b></p>
<ol style="list-style-type: none"> <li>1. Address of property</li> <li>2. Label existing and proposed layouts               <ol style="list-style-type: none"> <li>a. Existing:                   <ol style="list-style-type: none"> <li>i. Overall dimensions</li> <li>ii. Layout of existing plan</li> <li>iii. Locations of existing fixtures</li> <li>iv. Location of doors &amp; windows</li> </ol> </li> <li>b. Proposed:                   <ol style="list-style-type: none"> <li>i. Overall dimensions</li> <li>ii. Layout of proposed plans</li> <li>iii. Locations of fixtures</li> <li>iv. Locations of doors &amp; windows</li> </ol> </li> </ol> </li> </ol>	<ol style="list-style-type: none"> <li>1. Address of property</li> <li>2. Label existing and proposed layouts               <ol style="list-style-type: none"> <li>a. Existing:                   <ol style="list-style-type: none"> <li>i. Overall dimensions</li> <li>ii. Layout of existing plan</li> <li>iii. Locations of existing fixtures</li> <li>iv. Location of doors &amp; windows</li> </ol> </li> <li>b. Proposed:                   <ol style="list-style-type: none"> <li>i. Overall dimensions</li> <li>ii. Layout of proposed plans</li> <li>iii. Locations of fixtures</li> <li>iv. Locations of doors &amp; windows</li> </ol> </li> </ol> </li> </ol>

# Bathroom and/or Kitchen remodels

Provide a sketch of your bathroom or kitchen to be remodeled showing the following:

<p style="text-align: center;">EXISTING KITCHEN</p>	<p style="text-align: center;">PROPOSED KITCHEN</p>
<ol style="list-style-type: none"> <li>1. Address of property</li> <li>2. Label existing and proposed layouts               <ol style="list-style-type: none"> <li>a. Existing:                   <ol style="list-style-type: none"> <li>i. Overall dimensions</li> <li>ii. Layout of existing plan</li> <li>iii. Locations of existing fixtures</li> <li>iv. Location of doors &amp; windows</li> </ol> </li> <li>b. Proposed:                   <ol style="list-style-type: none"> <li>i. Overall dimensions</li> <li>ii. Layout of proposed plans</li> <li>iii. Locations of fixtures</li> <li>iv. Locations of doors &amp; windows</li> </ol> </li> </ol> </li> </ol>	<ol style="list-style-type: none"> <li>1. Address of property</li> <li>2. Label existing and proposed layouts               <ol style="list-style-type: none"> <li>a. Existing:                   <ol style="list-style-type: none"> <li>i. Overall dimensions</li> <li>ii. Layout of existing plan</li> <li>iii. Locations of existing fixtures</li> <li>iv. Location of doors &amp; windows</li> </ol> </li> <li>b. Proposed:                   <ol style="list-style-type: none"> <li>i. Overall dimensions</li> <li>ii. Layout of proposed plans</li> <li>iii. Locations of fixtures</li> <li>iv. Locations of doors &amp; windows</li> </ol> </li> </ol> </li> </ol>